

SENSOSTOP[®] M1G + M1E

- Miniature Electronic Yarn Stopmotion Switch in Metal Housing -
M1G = with Sensor Button, M1E = without Sensor Button

Features:

- Small housing dimensions and easy fitting.
- Touchless operation, no additional yarn tension.
- Highest sensitivity, also for low delivery speeds.
- Improved capacitive measuring principle. Electrostatical interferences are suppressed. Evaluation of effective running yarn signals only.
- Green and red LED indicating sensor time, status of running yarn and yarn break.
- Big sensor button to switch off the output.
- Fast reaction times. Sensitivity and switch-off time can be factory set.
- P.C.-board completely molded in epoxy.
- Insensitive to dirt, spinoil and preparations.
- Casing covers available with or without ceramic yarn guides, additional metal sheets with various ceramic yarn guides are available.
- Four-pin-plug at the metal case.

Type of applications:

- For all types of yarns and continuous filaments (except metallic yarns).
- For traversing or straight yarn path, all directions in front of the four sensor-areas.
- Range of yarn count: 10 dtex - 20.000 dtex, Nm1000 - Nm 0,5.
- Yarn speed greater than 10m/min (depending on type of fibre).

Specification:

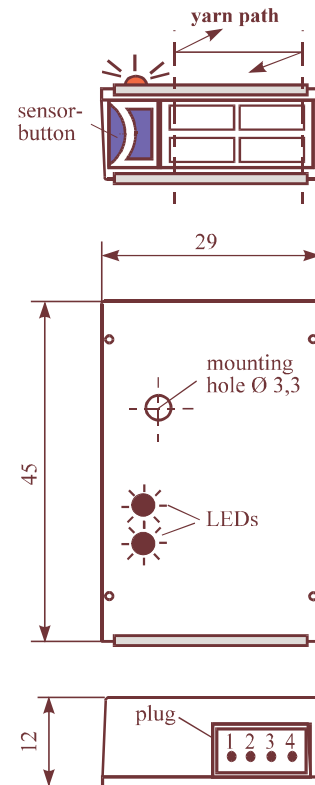
Supply voltage:	+8V upto +30V D.C.
Power consumption:	20 mA
1. Output:	"PNP" (positive) or "NPN" (negative) with integrated protective diode.
Output current:	0,5A (short circuit protected).
Switch Type:	static (standard) or dynamic (1 sec. impulse time).
2. Output (on request):	open collector NPN, active at running yarn.

Switch-on-time (t-on) und reaction-time (t-off) with:

<i>static output:</i>		<i>dynamic output:</i>	
t-on = 0.5 sec	t-off = 0.1 sec	t-on = 1.5 Sec	t-off = 0.1 sec
t-on = 0.5 sec	t-off = 0.2 sec	t-on = 1.5 sec	t-off = 0.2 sec
t-on = 1.5 sec	t-off = 0.5 sec	t-on = 1.5 sec	t-off = 0.5 sec
t-on = 6.0 sec	t-off = 1.5 sec	t-on = 6.0 sec	t-off = 1.5 sec

(special versions on request)

Plug type at the casing:	JST No. S4B-XH-A
Socket for round- or flat-cable:	JST No. 04NR-E6S
Connection:	Pin 1 = 0 Volt (ground) - brown
	Pin 2 = +Vcc (+8V ... +30V) D.C. - white
	Pin 3 = 1. output - green
	Pin 4 = 2. output - yellow



M1_ENG1 080499

OTTO STÜBER GMBH & CO. KG

D - 73266 Bissingen/Teck • Germany
 Pfarrstrasse 23 • POB 52
 Telefon +49 (0) 70 23 / 95 02 - 0
 Telefax +49 (0) 70 23 / 95 02 - 33

STÜBER